



**KALASHNIKOV  
USA**

**KR-9/KP-9 SERIES  
SEMI-AUTOMATIC 9MM  
RIFLE/PISTOL  
OWNER'S  
MANUAL**



**WARNING**

**READ THE INSTRUCTIONS AND WARNINGS IN THIS MANUAL CAREFULLY AND UNDERSTAND THEM BEFORE USING THIS FIREARM. IF THERE IS ANYTHING YOU DO NOT UNDERSTAND, IT IS YOUR RESPONSIBILITY TO SEEK ADVICE FROM YOUR RETAILER OR A CERTIFIED FIREARMS INSTRUCTOR OR COMPETENT GUNSMITH, OR CONTACT KALASHNIKOV USA AT 754-222-1407 OR [CUSTOMERSERVICE@KALASHNIKOV-USA.COM](mailto:CUSTOMERSERVICE@KALASHNIKOV-USA.COM).**

Version 1.2

# INDEX

WARNINGS	4
ICONS IN OWNER'S MANUAL	5
HAZARDS	5
ILLUSTRATIONS IN OWNER'S MANUAL	5
DANGEROUS PROCEDURES	6
GENERAL SAFETY RULES & PROCEDURES	7
FIREARMS SAFE HOME STORAGE CHECKLIST	13
<b>1. DESCRIPTION AND OPERATION</b>	<b>14</b>
1.1 MODELS	14
1.2 FEATURES	15
1.3 SPECIFICATIONS	15
1.4 COMPLETE SET OF COMPONENTS	15
1.5 DESIGN & OPERATION	16
<b>2. DESIGNATED USE</b>	<b>16</b>
2.1 LIMITATION IN SERVICE	16
2.2 SAFETY PRECAUTIONS	16
2.3 BEFORE USE	17
2.4 OPERATION PROCEDURE	18
<b>3. MAINTENANCE</b>	<b>19</b>
3.1 GENERAL	19
3.2 FIELD STRIPPING	20
3.3 ADJUSTING THE IRON SIGHTS	24
3.4 REASSEMBLY AFTER FIELD STRIPPING	24
3.5 CLEANING AND LUBRICATION	24
<b>4. TRANSPORTATION</b>	<b>24</b>
<b>5. STORAGE</b>	<b>25</b>
<b>SCHEMATICS &amp; PARTS LIST</b>	<b>26</b>
<b>WARRANTY</b>	<b>28</b>

**KR-9/KP-9 SERIES  
SEMI-AUTOMATIC 9MM RIFLE/PISTOL**

# **OWNER'S MANUAL**



**KR-9**



**KR-9 SBR**



**KP-9**



## DANGER!

PRIOR TO REMOVING THIS GUN FROM ITS PACKAGING, AND PRIOR TO HANDLING, LOADING AND FIRING, CAREFULLY AND THOROUGHLY READ AND UNDERSTAND THIS ENTIRE OWNER'S MANUAL WHICH GIVES ADVICE ON THE FIREARM'S PROPER HANDLING, FUNCTIONING AND SAFE USE. YOUR SAFETY AND THAT OF OTHERS (INCLUDING YOUR FAMILY) DEPENDS ON YOUR RESPONSIBLE COMPLIANCE WITH THAT ADVICE, GOOD JUDGMENT AND COMMON SENSE. FIREARMS SAFETY DEPENDS ON YOU. YOU CANNOT FORGET, YOU CANNOT OVERLOOK, YOU CANNOT ALLOW YOURSELF TO BE DISTRACTED, YOU CANNOT BECOME COMPLACENT OR CASUAL WITH FIREARMS. THERE ARE NO "FOOLPROOF" FIREARMS. ONCE A SHOT IS FIRED, IT CANNOT BE CALLED BACK. A FIREARM IN YOUR HANDS CAN CAUSE UNINTENDED DEATH OR SERIOUS BODILY HARM IF YOU FAIL TO FOLLOW SAFE GUN HANDLING RULES AND PRACTICES SUCH AS THOSE CONTAINED IN THIS MANUAL.

REMEMBER, FIREARMS SAFETY DEPENDS ON YOU! IF YOU ARE UNFAMILIAR WITH FIREARMS, SEEK SUPERVISED INSTRUCTION FROM A CERTIFIED INSTRUCTOR.

Important **WARNINGS** and **SAFETY PRECAUTIONS** must be read and understood before using this firearm. **SAFE GUN HANDLING IS YOUR PERSONAL RESPONSIBILITY AT ALL TIMES.** Disregarding the warnings and safety precautions in this manual can result in injury or death to you and others, as well as damage to property.

- Directions and procedures for handling, loading, firing, unloading, disassembling and assembling this firearm.
- Instructions for care, cleaning and repair of this firearm. This OWNER'S MANUAL is designed to help you in learning how to properly and safely use and care for your Kalashnikov USA rifle. Only when you are certain you have fully familiarized yourself with the function of your firearm, should you practice loading, unloading, and firing with live rounds of ammunition at a firing range or other safe location.

This OWNER'S MANUAL should always accompany the firearm and be transferred with the firearm on change of ownership or possession. Should you ever need to replace it, this manual is available FREE upon request from Kalashnikov USA or on the Kalashnikov USA website at [www.kalashnikov-usa.com](http://www.kalashnikov-usa.com).

---

## ICONS IN OWNER'S MANUAL

Before you start, familiarize yourself with the icons you will see in the manual.

### HAZARDS



**DANGER**—indicates an imminently hazardous situation which, if not avoided, will result in death or serious injury.



**WARNING**—indicates a potentially hazardous situation which, if not avoided, could result in death or serious injury.



**CAUTION**—indicates a potentially hazardous situation or an unsafe practice, which, if not avoided, could result in minor or moderate injury or property damage.

---

## ILLUSTRATIONS IN OWNER'S MANUAL

The illustrations in this manual may differ slightly from the actual product.

The illustrations in this manual relate to the right hand shooter configuration.

# DANGEROUS PROCEDURES



**WARNING!** Always have the headspace checked by a competent gunsmith with “Go” and “No-Go” gauges after replacing the bolt or barrel assembly. Failure to check the headspace may result in personal injury or death to you and others and could cause severe damage to the firearm.



**WARNING!** If your gun misfires with a live round in the chamber of a hot barrel, immediately remove the round while keeping the barrel pointed in a safe direction and the ejection port turned away from your face. If unable to remove the live round within 10 seconds, remove the magazine, keep the gun pointed in a safe direction, and wait 15 minutes for the barrel to cool. Then remove the round.

Continuous or rapid firing of your gun can cause the barrel temperature to reach a “**COOK OFF POINT**”, where the heat of the barrel can cause a live round to fire from remaining in contact with a hot chamber. If you have been firing continuously or rapidly, do not allow a live round to remain in the chamber when you finish firing, as it may “**COOK OFF**” (FIRE). Always keep your face, hands, and other body parts away from the ejection port when clearing a hot chamber.



**WARNING!** Never fire your gun with any obstruction in the barrel as this could cause the gun to explode! Be sure the barrel is clear of obstructions before shooting.



**WARNING!** While firing, if you experience a noticeable difference in sound or recoil, **STOP FIRING!** The cause for either condition could be incomplete powder burn, a cartridge with a primer but no powder (“**SQUIB LOAD**”) or too little powder, and/or a bullet stuck in the bore. Immediately unload the gun and check for unburned powder residue in the bore and the receiver or a bullet stuck in the bore. Remove the unburned powder before resuming firing. If a bullet is stuck in the bore, have a qualified gunsmith take care of the problem. Never try to

“**SHOOT OUT**” a bullet stuck in the bore. Firing with unburned powder in the barrel or a bullet stuck in the bore could cause the barrel to explode causing serious injury or death.

---

## GENERAL SAFETY RULES AND PROCEDURES



CAUTION

**CAUTION!** The manufacturer of this firearm disclaims any liability for the use of re-manufactured, reloaded or hand-loaded ammunition. Use only factory new, quality ammunition. The use of improper caliber or low quality ammunition could result in injury, death and/or property damage upon firing. Remember, firearms safety depends on you!



WARNING

**WARNING!** Careless and improper handling of this gun could result in unintended discharge, causing injury, death or property damage. Safety must be the first and constant consideration when handling a firearm and ammunition. **SAFETY DEPENDS ON YOU.**



CAUTION

**CAUTION!** This firearm was designed to function properly in its original condition. Do not alter any parts. Do not replace any parts unless you are factory-trained to do so and then use only original factory parts from Kalashnikov USA. Any alterations or changes made to a firearm after its manufacture can make the gun unsafe and will void its warranty.



WARNING

**WARNING!** This firearm should always be carried with the chamber empty and with the safety on “**SAFE**” to prevent accidental discharge.



**WARNING!** Always handle and treat your firearm as if it were loaded so you will never fire it accidentally when you mistakenly think it is unloaded. Never take anyone's word that it is unloaded. Always check it yourself with your fingers off the trigger and the gun pointed in a safe direction. Even after you have confirmed that the gun is unloaded, continue to treat it as if it were loaded. Never look down a barrel.



**WARNING!** Do not pull the trigger or attempt to fire until the safety selector has been moved to the **FIRE** position.



**DANGER! DO NOT** allow any fingers of your non-shooting hand to enter the trigger guard at any time. If you do so, there is a chance your non-shooting hand or fingers could touch the trigger, unintentionally firing the firearm and resulting in death or serious injury.



**DANGER!** Always keep the safety on "**SAFE**" and your finger outside the trigger area, wrapped around the grip or braced on the gun's receiver, until you intend to fire.



**WARNING!** All persons present must wear suitable eye and ear protection, and must stand clear of the case ejection area.



**WARNING!** Keep the gun's muzzle pointed in a safe direction at all times. A safe direction is one in which an unintentionally fired shot will not cause any physical injury or property damage. Never let the muzzle of a firearm point at any part of your body or another person, or in any direction where an injury may result if the gun were to fire. Always be sure of your target and what's beyond and around it before firing.





**WARNING! UNLOAD ALL FIREARMS WHEN NOT IN USE. NEVER STORE A LOADED FIREARM.** Firearms and ammunition should be stored separately under lock and key so that they are inaccessible to children or unauthorized users. Never leave a loaded firearm, or any firearm or ammunition, unattended where an unauthorized user might have access to it. At the range, any firearm you lay down on the shooting bench should be unloaded, and if possible with its action locked open or a chamber flag inserted to show the chamber is empty.

Never let the muzzle of a firearm touch the ground, mud, sand or snow, which might obstruct the bore, causing the barrel to burst when you fire. If you drop a firearm, pick it up carefully with it pointed in a safe direction (have all other people move out of the direction of the muzzle), with your finger outside the trigger area and the safety in the "SAFE" position. Then unload the firearm and check to be sure there are no obstructions in the bore. This can be done safely with a cleaning rod, or by disassembling the firearm and looking down the bore from the chamber (rear) end. If there is any possibility of damage to your firearm, have it inspected by a qualified gunsmith, or return it to Kalashnikov USA for inspection, before you load or fire it again.



**WARNING!** Always make sure your firearm is not loaded before cleaning, storing, transporting or handing it to another person. Firearms should be transported unloaded and in a protective gun case.



**WARNING!** Whenever you pick up any firearm that, even for an instant, has been out of your direct, continuous control, the first thing you must do, while keeping the muzzle pointed in a safe direction and your fingers out of the trigger area, is to open the firearm's action (mechanism) to determine whether or not it is loaded.



**WARNING!** Always wear and require others to wear commercially manufactured ear protection when shooting. Without ear protection, the noise from your gun, and other guns close to you, could leave a “ringing” in the ears for some time after firing, and could result in your permanent hearing loss.



**CAUTION!** Learn the mechanical and handling characteristics of the firearm you are using. Not all firearms are the same, and your Kalashnikov USA firearm has some unique features. Do not assume that just because you have experience with other firearms, you know how to use the Kalashnikov USA firearm properly. Read and understand this manual. If there is anything you do not understand, contact your firearms retailer or Kalashnikov USA at [customerservice@kalashnikov-usa.com](mailto:customerservice@kalashnikov-usa.com) or telephone 754-222-1407.



**WARNING!** Do not shoot at a hard surface, such as rock, masonry, metal, water or ice. The bullet may ricochet and travel in unpredictable directions to strike you or another unintended person or object, or even an object that you cannot see.



**WARNING!** A rifle bullet fired into the air can travel over one mile, and can kill or seriously injure someone when it comes down. Never fire into the air.



**CAUTION!** Before hunting with this or any other firearm, take an approved Hunter Safety Course, taught in all states by the state game commission or by the National Rifle Association (NRA). Follow your state’s game laws at all times while hunting.



CAUTION

**CAUTION!** If you have not received formal firearms instruction or if you have any doubts about your ability to handle or use this firearm safely, seek supervised instruction from a certified instructor. Information about sources of firearms instruction can often be obtained from your local police department, firearms retailer, gun club, shooting range, state game commission, or from the National Rifle Association (NRA), 11250 Waples Mill Road, Fairfax, Virginia 22030, telephone 1-703-267-1000 or 1-800-672-3888.



WARNING

**WARNING!** If at any time you notice something about the appearance or functioning of your Kalashnikov USA firearm that does not seem proper or that causes you concern, **STOP**, unload your firearm immediately, and do not load or fire your firearm until you have it inspected and, if necessary, repaired by a factory-trained armorer, or by Kalashnikov USA. If you fire your Kalashnikov USA firearm extensively, have it professionally inspected and serviced periodically (annually is a good average interval) by a factory-trained armorer or by Kalashnikov USA.



WARNING

**WARNING!** Firearms and alcohol do not mix. Never drink alcoholic beverages or take drugs before or during shooting. This constitutes criminal disregard for your safety and that of others. Some medications can impair your vision, balance, reflexes, coordination, alertness or judgment. Never use a firearm while you are taking medication unless you have checked with your doctor to ensure you're fit to handle your firearm safely. Do not handle your firearm when you are ill, tired, upset or distracted.



CAUTION

**CAUTION!** Horseplay has no place around firearms. Guns can't think – you can! **SAFETY DEPENDS ON YOU!**



CAUTION

**CAUTION!** Remember, safety is your responsibility. Be a safe shooter. **SAFETY DEPENDS ON YOU!**



CAUTION

**CAUTION! FOLLOW THE LAW.** Obey all local, state and federal laws regarding possessing, storage, shooting and transporting of your firearm.



WARNING

**WARNING!** Discharging firearms in poorly ventilated areas, cleaning or handling firearms, or handling ammunition may result in exposure to lead and other substances that may cause birth defects, reproductive harm, and other serious physical injury. Have adequate ventilation at all times. Wash your hands and face thoroughly after exposure, and before eating or drinking. Shooting, handling or cleaning firearms may expose you to lead, which is a toxic substance.



WARNING

**REMEMBER, FIREARMS SAFETY DEPENDS ON YOU! A SINGLE MOMENT OF INATTENTION OR A SINGLE FAILURE TO FOLLOW THESE GUN SAFETY RULES AND WARNINGS CAN RESULT IN TRAGEDY. YOU ARE RESPONSIBLE FOR THE GUN THAT IS IN YOUR HANDS, IN YOUR POSSESSION, OR UNDER YOUR CONTROL. FIREARMS SAFETY DEPENDS ON YOU!**

# FIREARMS SAFE HOME STORAGE CHECKLIST

- Firearms naturally attract the attention of children, teenagers and adults alike. Accordingly, it is your responsibility to ensure that your firearms, when unattended, stored, or not in use, are secured under lock and key, safely out of the access of all unauthorized users. This is your responsibility, and any mistake or laziness on your part can result in death or serious injury to your loved ones or others.
- Firearms must be securely stored under lock and key in a location inaccessible to children and other unauthorized persons.
- One of the safest ways to store your firearms is in a locking metal gun safe or lock box. Many models, including ones permitting quick access to the firearm if needed for self-defense, are now available at firearms retailers or via the Internet. Firearms should be unloaded before they are brought into the home and never loaded while in the home.
- Sporting firearms should be immediately cleaned and placed in secure locked storage when they are returned from hunting or target shooting.
- When firearms are removed from storage, they must always immediately be carefully checked to confirm that they are unloaded.
- Ammunition should be stored under lock and key, in a separate location from firearms.
- The OWNER'S MANUAL that came with your firearm must be read, understood and followed.

For more information on safe storage and use, refer to the NSSF pamphlets "Firearms Safety Depends on You" and "Firearms Responsibility in the Home", available for download from the NSSF website at <http://nssf.org>

# 1. DESCRIPTION AND OPERATION

## 1.1 MODELS

The Kalashnikov USA KR-9/KP-9 series comes in various semi-automatic rifle and pistol models. They include a detachable magazine which is available in 9 x 19 millimeter. Models and specifications are subject to change.



The **KP-9** is a US manufactured 9mm semi-automatic AK style pistol. It is based on the Russian Vityaz-SN submachine gun, has a 9.25" barrel and accepts 30 round double stack Kalashnikov USA magazines (10 round magazines are available). KP-9 has a hinge block with a quick detach swivel mount and is SBR ready. KP-9 comes with a hinged top cover with attached Picatinny rail and a 0.5"x 28" threaded flash suppressor.



The **KR-9** is a US manufactured 9mm semi-automatic AK style rifle. It is based on the Russian Vityaz-SN submachine gun, has a 16.25" barrel and accepts 30 round double stack Kalashnikov USA magazines (10 round magazines are available). The KR-9 comes with a skeletonized style metal side folding stock, hinged top cover with attached Picatinny rail and a 0.5"x 28" threaded flash suppressor.



The **KR-9 SBR** is a US manufactured 9mm semi-automatic AK style rifle. It is based on the Russian Vityaz-SN submachine gun, has a 9.25" barrel and accepts 30 round double stack Kalashnikov USA magazines (10 round magazines are available). KR-9 SBR comes with a skeletonized style metal side folding stock, hinged top cover with attached Picatinny rail and a 0.5"x 28" threaded flash suppressor.

## 1.2 FEATURES

This Kalashnikov USA rifle/pistol include:

- Reliable and rugged design of Mikhail Kalashnikov
- US innovation utilizing state of the art manufacturing processes
- Two position safety lever: Fire and Safe
- Front Post Sight and Rear Leaf Sight
- Detachable magazine
- No special tools required for field stripping

## 1.3 SPECIFICATIONS

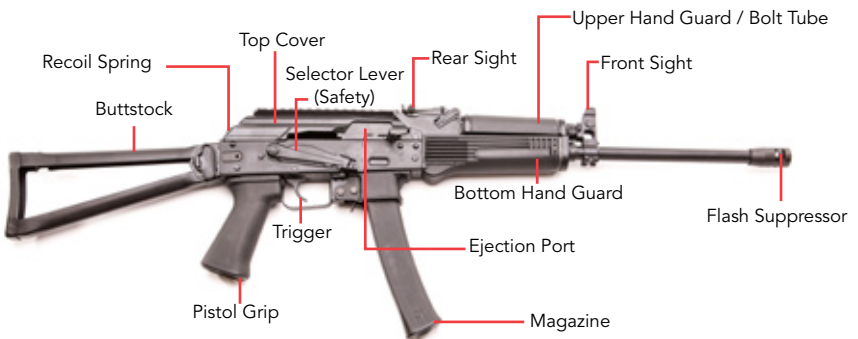
MODEL	CALIBER	LENGTH	OPERATION	FIRE MODE	BARREL LENGTH	SIGHTS	FOLD / OAL LENGTH
KR-9	9mm	9 x 19mm	Blowback	Semi-Automatic	16 ¼"	Rear Notch/ Front Sight Post	25 ¼" / 34 ½"
KR-9 SBR	9mm	9 x 19mm	Blowback	Semi-Automatic	9 ½"	Rear Notch/ Front Sight Post	18 ¼" / 27 ½"
KP-9	9mm	9 x 19mm	Blowback	Semi-Automatic	9 ½"	Rear Notch/ Front Sight Post	18 ¼"

## 1.4 COMPLETE SET OF COMPONENTS

The rifle consists of the following main components:

- Barrel With the Receiver
- Bolt
- Blowback Operating System
- Trigger and Firing Mechanism
- Bolt Tube
- Buttstock
- Hand Guard
- Pistol Grip
- Magazine
- Top Cover

The rifle components are shown in Schematic & Parts List. (pages 26-27)



## 1.5 DESIGN AND OPERATION

When the first round is fired, the rifle automatically reloads using the energy of the fired round. As the bolt returns to the forward position using the energy of the recoil spring, the next cartridge is picked up from the magazine and is positioned into the breach of the barrel, ready to be fired when the trigger is pulled again. In addition, the firearm can be reloaded by hand (with a magazine in the magazine well) by retracting the bolt to the rearmost position by hand and utilizing the energy of the recoil spring when released to pick up the bullet from the magazine and position it in the breach of the barrel.

When in battery, the bolt is in the forward position.

The trigger and firing mechanism utilizes a hammer type design to ensure single-shot firing and a trigger blocking device when the safety lever is set at the safe position to prevent firing.

The magazine is released by pressing the magazine latch forward.

.....

## 2. DESIGNATED USE

### 2.1 LIMITATIONS IN SERVICE



**2.1.1 WARNING!** Before using the rifle, read and understand all of the warnings in the front of this manual.

**2.1.2** Read and understand this OWNER'S MANUAL completely.



**2.1.3 CAUTION!** Study the rifle/pistol design. Paying special attention to all of the safety precautions.



**2.1.4 CAUTION!** Use only new, unexpired, factory ammunition in the rifle/pistol. The use of reloaded or expired ammunition will void the warranty.



**2.1.5 CAUTION!** To prevent firing pin breakage, do not dry fire the rifle, unless necessary.



**2.1.6 WARNING!** Always use protective shooting glasses and hearing protection.

### 2.2 SAFETY PRECAUTIONS



**2.2.1 CAUTION!** When in service, after each firing operation, thoroughly inspect the receiver, the bolt and bolt carrier for absence of cracks, as well as the barrel for absence of cracks or bulging.

If one of these faults has been detected, or if ruptures have appeared in



the bottom portion of bullet cases, stop using the rifle.

The rifle design ensures its safe functioning providing proper rules of operation are adhered to and correct ammunition specified in Section 1.3 "Specifications" is used.

To ensure safe handling of the rifle/pistol follow all safety precautions listed on pages 4-13 of this manual:

- Always handle the rifle as if it is loaded.
- Never point the rifle at a person.
- Verify the magazine and chamber are empty, by disengaging the safety, retracting the bolt and inspecting the magazine and chamber.
- Before loading the rifle, inspect the barrel bore and the chamber to be certain they are free of any obstruction.
- In case of a misfire, don't open the bolt for 3 (three) minutes to prevent the possibility of hangfire.
- Always keep the safety lever engaged to prevent an accidental discharge.
- Empty the magazine and chamber before leaving the shooting area and before entering an inhabited area, before entering a vehicle, and when crossing forests, rough terrain or any body of water.
- Store the rifle and ammunition separately and beyond the reach of children and strangers.
- Only use new, unexpired, factory loaded ammunition. Do not use reloaded ammunition or any ammunition with traces of corrosion or is past the ammunition manufacturer's expiration date. The powder charge may be affected in expired or corroded ammunition resulting in excessive pressure in the barrel bore or insufficient pressure to expel the projectile from the barrel. Insufficient pressure can cause the projectile to become lodged in the barrel bore, obstructing the barrel bore and the next shot will create excessive pressure in it and may cause the barrel to burst. Both insufficient and excessive pressure conditions are unsafe and are dangerous and can cause damage to the rifle and serious injury or death to the shooter or bystanders.
- During rifle/pistol use, pay attention to any changes in your rifle/pistol which may affect safety.
- Cease firing if there are any visible defects on the barrel, receiver, or bolt; In addition to ruptures in the ammo casing.
- The manufacturer bears no responsibility for rifle/pistol damage which results from not following safety rules.

## 2.3 BEFORE USE

**2.3.1 CAUTION!** Before operating the rifle/pistol you must familiarize yourself with all the warnings in the front of this manual.



CAUTION

**2.3.2** Verify the firearm is unloaded. Remove the magazine (if necessary) Inspect the magazine well and chamber to make sure there is no ammunition in the firearm.



Before using or loading ammunition in the rifle/pistol always:

- Wipe the barrel bore and chamber, muzzle chokes and gas chamber dry to remove any grease or fouling.
- Verify the hand guard is secured by the retaining hand guard lock lever.
- Verify the attached magazine is securely held in place by the magazine release.
- Pull the bolt handle fully to the rear and release it to check the rifle for proper functioning. Makes sure the chamber is empty and the magazine is out when doing this.

## **2.4 OPERATING PROCEDURE**

### **2.4.1** Engaging and disengaging the safety.

**2.4.1.1** Engage the safety – move the safety upwards to the “S” (Safe) position. The trigger is now blocked.

**2.4.1.2** Disengage the safety – move the safety downwards to the “F” (Fire) position. The rifle will now fire if the trigger is depressed.

### **2.4.2** Loading and firing procedure:

- Engage the safety by moving it to the “S” position.
- The rifle is designed to fire 9x19mm caliber ammunition.
- Press the magazine release and detach the magazine from the rifle/pistol by pulling it downwards.
- Load the magazine with the correct ammunition, feeding them one-by-one from the front of the magazine and under the magazine lips by pressing the round straight down and rearward until the rounds stop against the rear wall of the magazine.
- Insert the magazine into the magazine well by pushing upward until the magazine locks up with the magazine catch. Tap the bottom of magazine upward to ensure the magazine is locked into place.
- Disengage the safety; **Always keeping your fingers or any object away from the trigger and outside the trigger guard.**
- Retract the bolt handle rearwards the full length of travel until it stops and then release it. The bolt will move forward loading the first round into the chamber.



The rifle is loaded and is ready for firing.

Aim, pull the trigger and the rifle/pistol will fire.

To fire the next shot from the auto-loading rifle/pistol release the trigger and depress it again.



**NOTE:** When the magazine is depleted, the bolt will remain in the forward position.

### 2.4.3 Unloading procedure:

- Make sure the muzzle of the barrel is pointed in a safe direction.
- Engage the safety.
- Detach the magazine.
- Disengage the safety.
- Move the bolt rearward, hold it.
- Visually inspect the magazine well and chamber for ammunition.
- Extract ammo from the chamber and magazine well (if necessary).
- Move the bolt forward. This will reset the trigger.
- Empty the ammunition from the magazine.
- Reattach the empty magazine to the rifle.

---

## 3. MAINTENANCE

### 3.1 GENERAL

**3.1.1** Maintenance consists of inspection, cleaning and lubrication of the rifle/pistol during field stripping or disassembly. The field stripping of the rifle/pistol is carried out for its inspection, cleaning and lubrication after firing.



**3.1.2 DANGER! BEFORE BEGINNING DISASSEMBLY, MAKE SURE THAT THE RIFLE IS UNLOADED.** With the rifle/pistol pointed in a safe direction, detach the magazine, disengage the safety, retract the bolt using the bolt handle, examine the chamber and magazine well to make sure that it is empty, and finally move the bolt into the forward position.

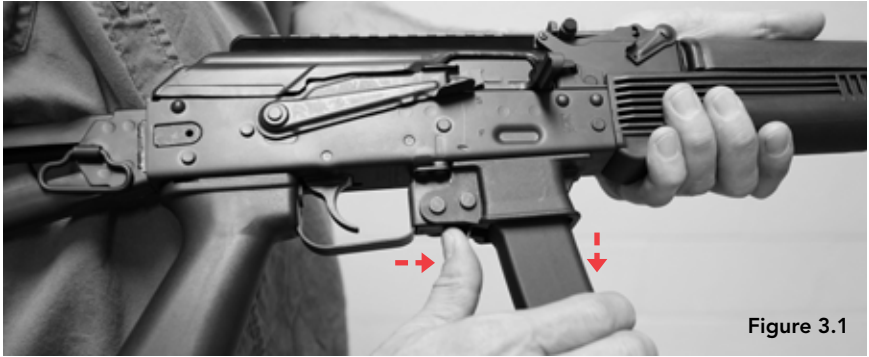
**3.1.3** Disassemble and assemble the rifle/pistol on a table or clean canvas. When placing the parts and components down arrange them in the sequence of removal, handle the detached parts with care, do not put one part on another, and when removing them, avoid excessive effort and sharp blows.



**3.1.4 CAUTION! ONLY USE RECOMMENDED OR KNOWN CHEMICAL AGENTS FOR CLEANING AND LUBRICATION OF THE RIFLE/PISTOL. UNKNOWN OR NON-RECOMMENDED CHEMICAL AGENTS MAY BE DANGEROUS FOR YOU AND DAMAGE THE RIFLE/PISTOL PARTS AND COMPONENTS.**

### 3.2 FIELD STRIPPING

Field stripping procedure:



**Figure 3.1 — Detaching The Magazine**

- Detach the magazine as shown in Figure 3.1. Hold the rifle by the forend with one hand, grip the magazine with the other hand and depress the magazine latch with a thumb in the direction of the magazine, pull the magazine downward out of the magazine well.



**Figure 3.2 — Raising The Top Cover**

- Raise the top cover, as shown in Figure 3.2. Hold the rear portion of the top cover with one hand, and hold the buttstock with your other hand. Using the hand holding the rear of the receiver push the exposed lug of the recoil spring guide down and into the receiver. Then pull the cover up to separate the cover from the recoil spring guide lug to raise the cover from the receiver.



Figure 3.3

**Figure 3.3 — Detaching The Recoil Spring Guide Assembly**

- Detach the recoil spring guide assembly from the receiver as shown in Figure 3.3. Push the retracting-mechanism guide forward about 1" until the guide is out of the receiver end slot of the rear trunnion and extract the retracting mechanism from the receiver and the bolt carrier channel, moving it up and to the rear.

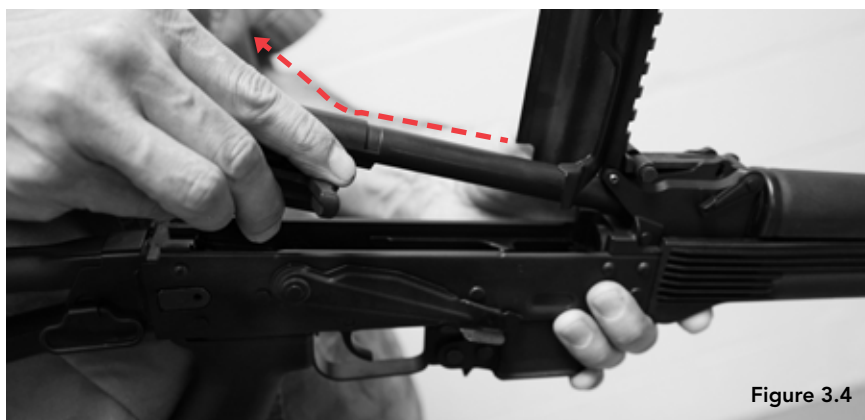


Figure 3.4

**Figure 3.4 — Detaching The Bolt**

- Remove the bolt as shown in Figure 3.4. Disengage the safety, retract the bolt until it is at the rear of the receiver, lift it up until it is just out of the receiver and then to the rear to allow the bolt tube to come out of the bolt tube and remove the bolt.



Figure 3.5



Figure 3.6



Figure 3.7

**Figures 3.5–3.7 — Detaching Upper Hand Guard Cover / Bolt Tube Retainer Lock**

- As shown in Figures 3.5 & 3.6, rotate lever upwards, exposing the flat portion of the retainer lock. As shown in Figure 3.7, lift bolt tube hand guard from the rear, upward and out, removing upper hand guard / bolt tube from the action.



Figure 3.8



Figure 3.9



Figure 3.10

### Figures 3.8–3.10 — Detaching Lower Hand Guard

- As shown in Figures 3.8 & 3.9, rotate the lever towards the front of the barrel. As shown in Figure 3.10, slide the lower hand guard forward, then downwards and out, removing lower hand guard from the action.

### **3.3 REASSEMBLY AFTER FIELD STRIPPING**

- Reassemble in the reverse order.
- Install the upper hand guard / bolt tube.
- Insert the bolt into the channel, then move the bolt forward until it stops.
- Before putting the bolt into the receiver make sure that the hammer is engaged with the trigger-mechanism (trigger) hook. If the hammer is not engaged, using your finger, push the hammer to the rear and down until it engages the hook.
- Insert the recoil spring guide assembly into the bolt slot and insert the recoil spring guide base into the rear trunnion grooves. Press the rear of the cover down so the lug of the recoil spring guide assembly enters the rectangular hole in the top cover.

### **3.4 ADJUSTING THE IRON SIGHTS**

The front sight can be adjusted for accuracy of fire for both elevation (Up and Down) and windage (Left and Right).

- Windage Adjustment: To move the front-sight drum use a specifically designed tool.
- Elevation Adjustment: The front sight elevation is changed by screwing in/out the front sight post using a specifically designed tool.
- Rear sight adjustment: the rear sight can be adjusted by depressing the elevation plunger and sliding the sight leaf to the desired setting.

### **3.5 CLEANING AND LUBRICATION**

- Your firearm should be cleaned after each use. Make sure the firearm is unloaded and there are no rounds in the magazine or chamber.
  - In a well ventilated area, use a cleaning rod with a 9mm bore brush attached. Apply bore cleaner to the brush and run it through the barrel a few times to remove fouling. Next, remove the brush and attach a patch holder to the rod. Thread a patch through the slot in the holder and apply bore cleaner. Run the patch through the barrel replacing the patches until they come out clean.
  - With a new patch, apply few drops of quality gun oil and run through the barrel one more time.
  - Clean the outer components as needed to remove carbon deposits and finish with a light coat of oil.
- 

## **4. TRANSPORTATION**

**4.1** Transport the rifle/pistol in a carrying case to protect it from shocks and drops.



**4.2** Use a sling to carry the rifle while hunting. The rifle is carried with the magazine attached and the safety selector lever on safe.

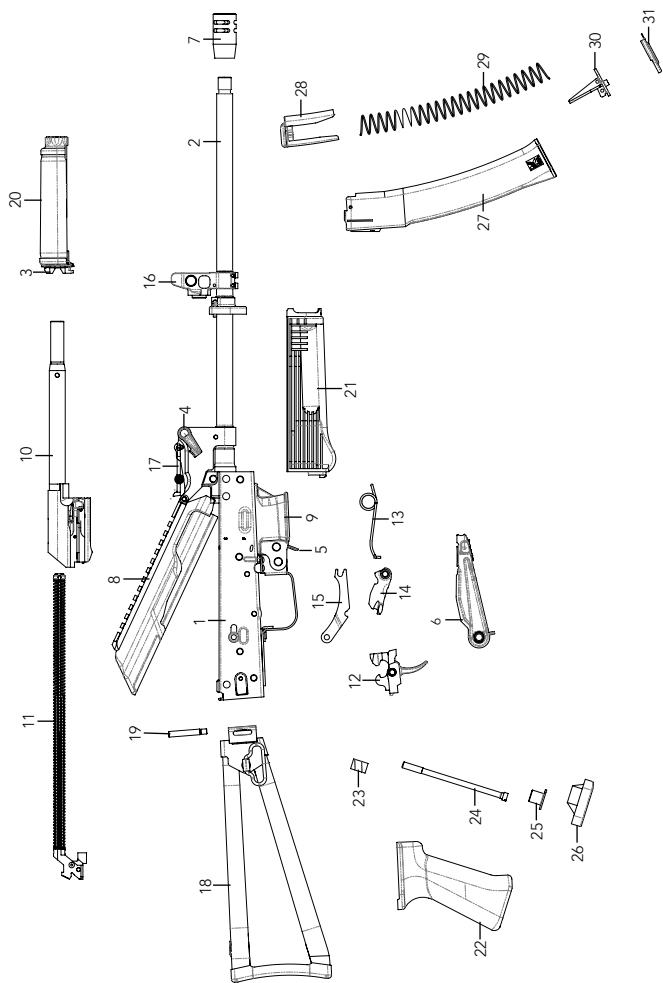
---

## **5. STORAGE**

**5.1** As packed by the manufacturer, store the rifle/pistol for no longer than 12 months without re-preservation (shorter periods in damp cold or humid environments).

**5.2** Store the rifle in dry premises without sharp temperature fluctuations, away from heating devices. Aggressive impurities should be absent in the ambient air. The rifle/pistol should be always unloaded, the magazine detached and the safety should be in the (Safe) "S" position. The rifle should be cleaned and lubricated before storage. Store in a gun safe or other proper secure system.

# SCHEMATICS



## PARTS LIST

### BARREL WITH RECEIVER

- 1 — RECEIVER
- 2 — BARREL
- 3 — BOLT TUBE
- 4 — RETAINING UPPER HAND GUARD LOCK
- 5 — MAGAZINE CATCH
- 6 — SAFETY SELECTOR LEVER
- 7 — FLASH SUPPRESSOR
- 8 — TOP COVER
- 9 — MAGAZINE WELL

### BOLT

- 10 — BOLT

### RECOIL SPRING ASSEMBLY

- 11 — RECOIL SPRING ASSEMBLY

### TRIGGER AND FIRING MECHANISM

- 12 — TRIGGER GROUP
- 13 — HAMMER SPRING
- 14 — HAMMER
- 15 — TRIGGER AXIS PIN LOCK

### IRON SIGHTING DEVICE

- 16 — FRONT SIGHT
- 17 — REAR SIGHT

### FURNITURE

- 18 — BUTTSTOCK
- 19 — PIN (HINGE PIN)
- 20 — UPPER HAND GUARD
- 21 — LOWER HAND GUARD
- 22 — PISTOL GRIP
- 23 — PISTOL GRIP NUT
- 24 — PISTOL GRIP SCREW
- 25 — PISTOL GRIP CAP INSERT
- 26 — PISTOL GRIP PLATE
- 27 — MAGAZINE

### MAGAZINE

- 28 — FOLLOWER
- 29 — SPRING
- 30 — BASE PLATE LOCK
- 31 — BASE PLATE

# WARRANTY

## KALASHNIKOV USA LIMITED WARRANTY:

Kalashnikov USA firearms are manufactured to the highest quality standards. Each firearm is tested and the quality is assured before the firearm leaves the factory.

This limited warranty has been drafted in compliance with Magnuson-Moss Warranty Federal Trade Commission Improvement Act, which is effective for goods manufactured on or after December 31, 1975.

All firearms manufactured by Kalashnikov USA have a limited 2 year warranty to the original purchaser. Original retail purchase date is verified by your sales receipt and ATF Form 4473.

This warranty does not cover:

- **DAMAGE TO THE FIREARM CAUSED BY FAILURE TO PROVIDE PROPER CARE, STORAGE AND MAINTENANCE.**
- **ACCIDENTS, MISUSE, NEGLIGENCE, ABUSE OR UNREASONABLE USE.**
- **USE OF THE FIREARM WITH HAND LOADED, RELOADED, DEFECTIVE OR IMPROPER AMMUNITION.**
- **DAMAGE CAUSED BY BARREL OBSTRUCTION.**
- **UNAUTHORIZED ADJUSTMENT, DISASSEMBLY, REPAIRS, OR MODIFICATIONS.**
- **NORMAL WEAR AND TEAR, INCLUDING BARREL BORE WEAR OR CORROSION.**
- **FINISH OR SURFACE COATINGS.**
- **PHYSICAL INJURY OR PROPERTY DAMAGES RESULTING IN WHOLE OR IN PART FROM CRIMINAL USE OR NEGLIGENT, IMPROPER USE OR CARELESS HANDLING.**
- **LOSS OR DAMAGE OCCURRING DURING RETURN SHIPMENT.**
- **THIS WARRANTY DOES NOT COVER SECOND AND SUBSEQUENT OWNERS OF THIS FIREARM.**

If you discover a defect during the warranty period, Kalashnikov USA will, at its option, repair or replace the firearm with a comparable firearm at no charge. A service or handling charge may be required for non warranty repairs.

Kalashnikov USA excludes and will not pay incidental or consequential damages with respect to economic loss, injury or property damage resulting from the breach of either the express or implied warranty. No

implied warranties extend beyond the term of this written warranty. Please note: Some jurisdictions do not allow exclusion of incidental or consequential damages, or limitation on how long an implied warranty lasts. Thus the above exclusion and limitations may not apply to you. This warranty gives specific legal rights to the original retail purchaser only. Other rights may apply and vary from state to state. The terms of this warranty can only be changed by an authorized officer of Kalashnikov USA.

If you have any questions, concerns or service or warranty issues please contact our customer service department at 754-222-1407 or e-mail [customerservice@kalashnikov-usa.com](mailto:customerservice@kalashnikov-usa.com). Customer service will provide shipping instructions.

All returns require a RMA # and must follow the shipping instructions. Do not ship firearms without a RMA #. **FIREARMS MUST BE UNLOADED. AMMUNITION MUST NOT BE SHIPPED WITH THE FIREARM. PACK THE FIREARM SECURELY.** The sender must prepay freight. We will not accept C.O.D. shipments.

If you do not have an owner's manual, please download it from our website.

This product can expose you to chemicals including lead, which is known to the State of California to cause cancer and birth defects or other productive harm. For more information go to [www.p65Warnings.ca.gov](http://www.p65Warnings.ca.gov)

Your Kalashnikov USA firearm comes standard (USA only) with a cable lock (Figure 6.1). The cable must be placed through the ejection port and out of the magazine well. Insert the end of the cable into the lock and make sure it is locked into place.



Figure 6.1

# NOTES



